

# ASSEMBLY DETAILS

These details should be read in conjunction with the setout & construction drawings provided by EZIKIT.

If you require assistance with any aspect of your installation, or would like clarification on any of these details, do not hesitate to contact us by phone, or email.

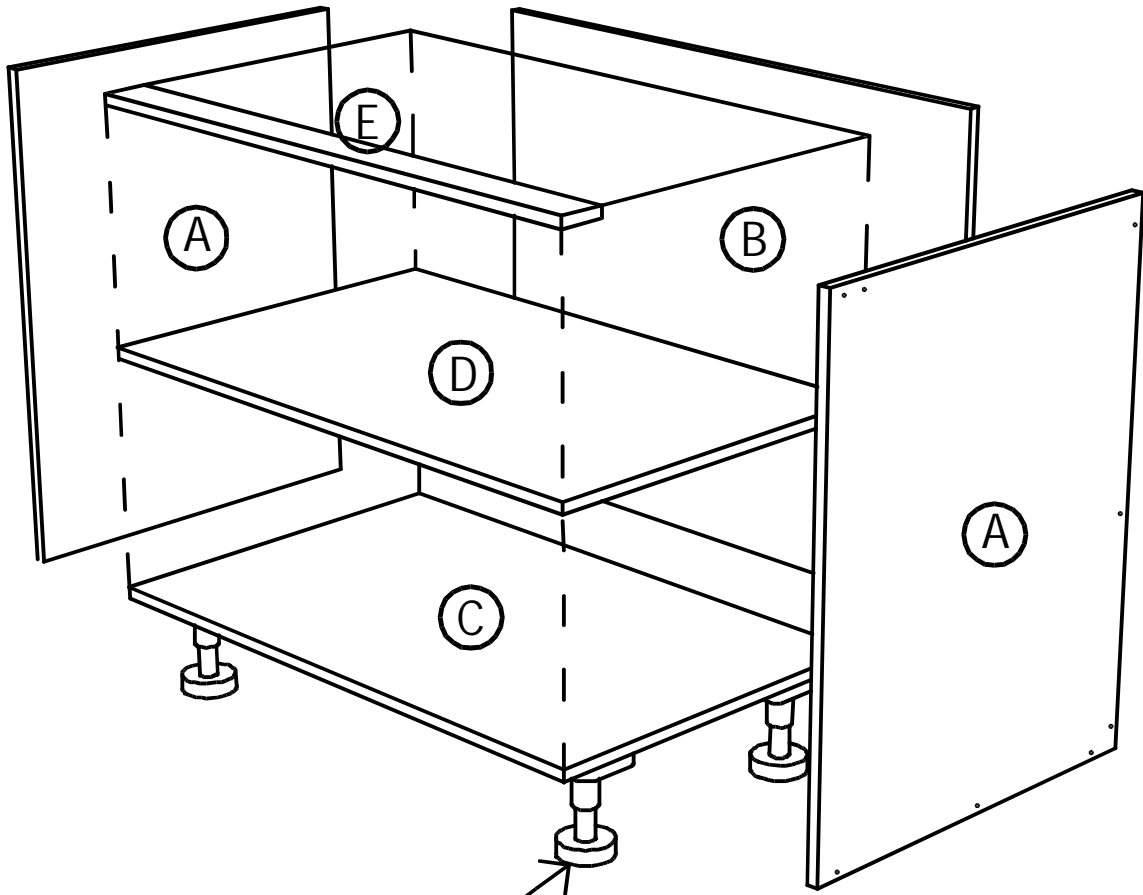
Support enquiries should be directed to:

phone: 03 6229 9733

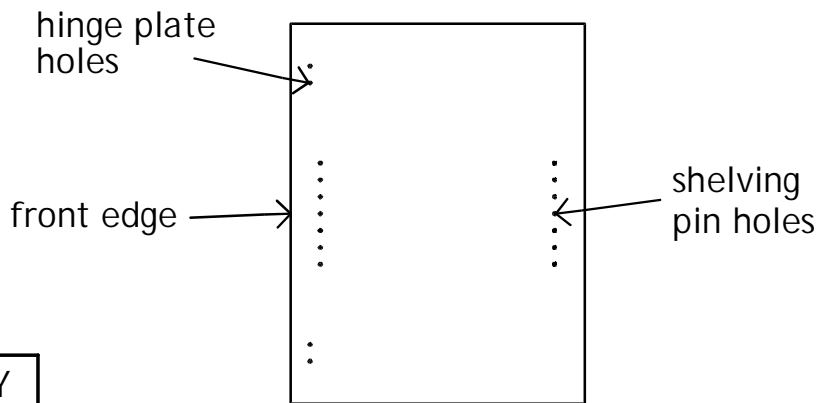
email: [support@ezikit.com.au](mailto:support@ezikit.com.au)

(c) 2019 EZIKIT Kitform Kitchens - All Rights Reserved  
This document should in no way be reproduced, distributed or supplied to another party without the expressed permission of EZIKIT.

# BASE UNITS



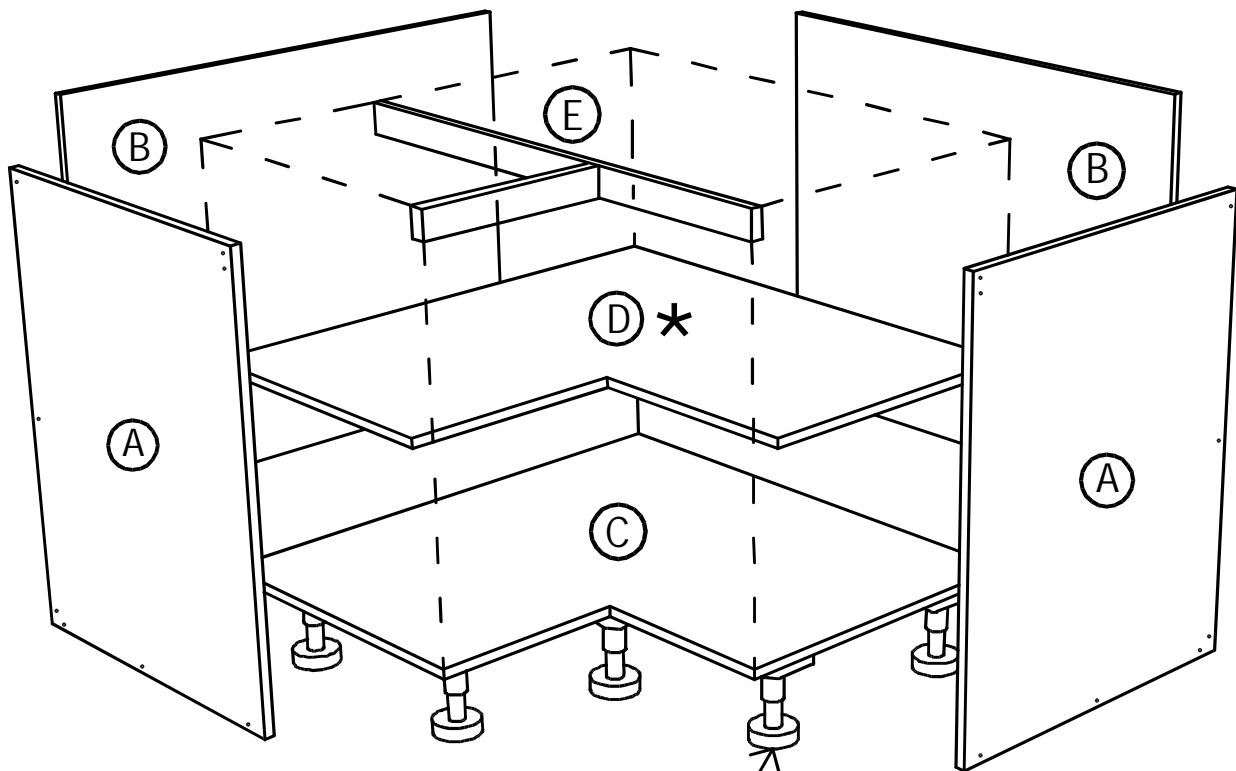
4 legs supplied



TYPICAL END ELEVATION

NOM	DESCRIPTION	QTY
(A)	END	2
(B)	BACK	1
(C)	BASE	1
(D)	ADJ SHELF	1
(E)	RAILS	1

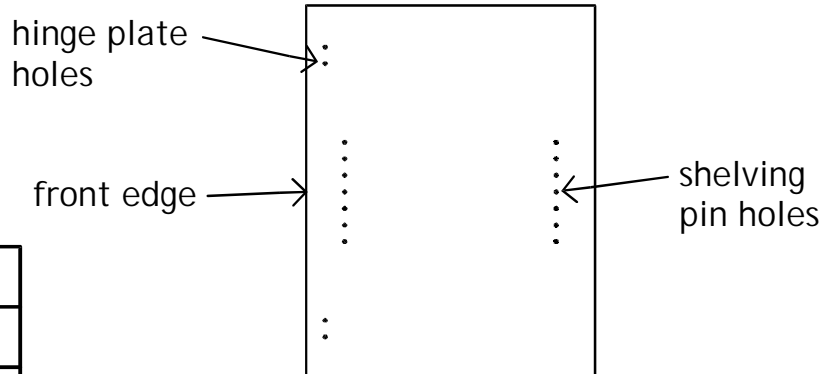
# CORNER BASE UNITS



## CUPBOARD SPECIFIC TIPS

- Corner cupboards have a 16mm space behind. Align front edge to adjacent cupboard
- Shelf should be placed inside cupboard during assembly \*
- Where lazy susans are to be fitted, middle shelf is not required\*
- Refer to 'daisy catch' detail page

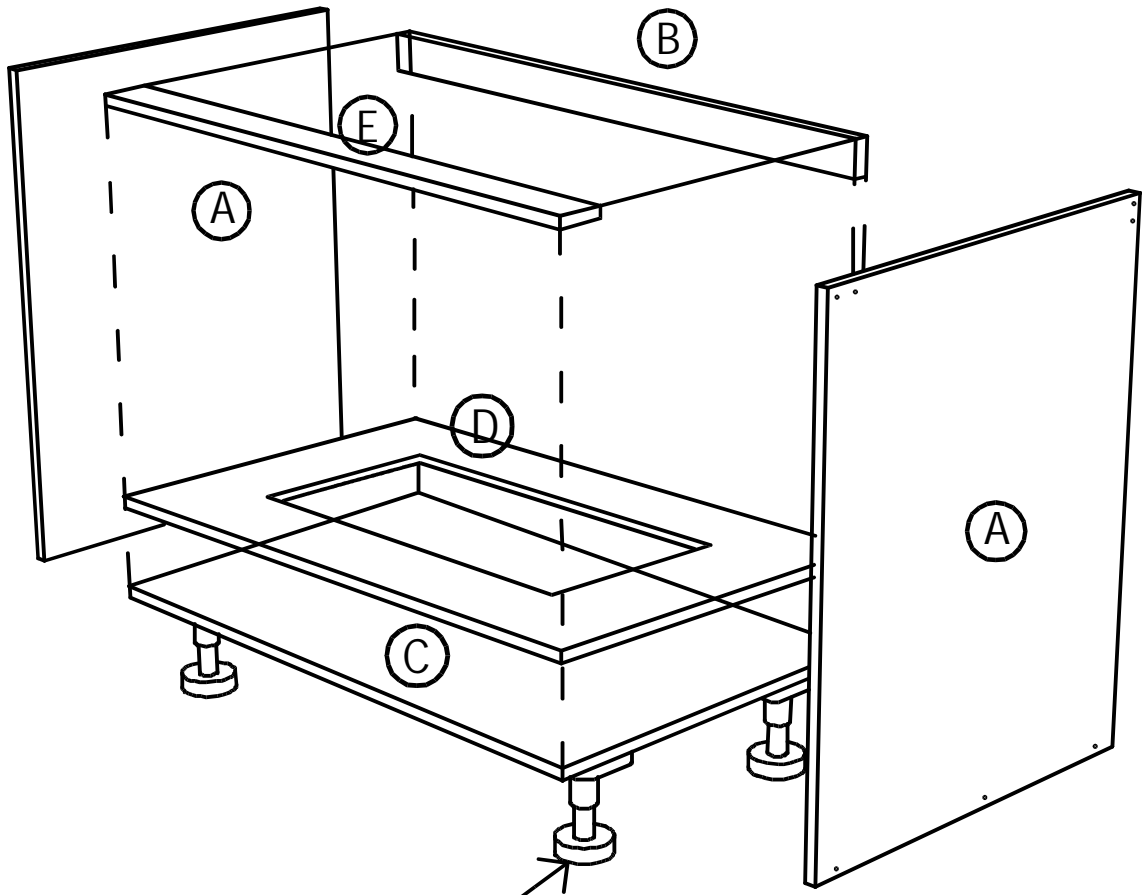
6 legs supplied



TYPICAL END ELEVATION

NOM	DESCRIPTION	QTY
(A)	END	2
(B)	BACK	2
(C)	BASE	1
(D)	ADJ SHELF*	1*
(E)	RAILS	2

# BASE OVEN UNITS

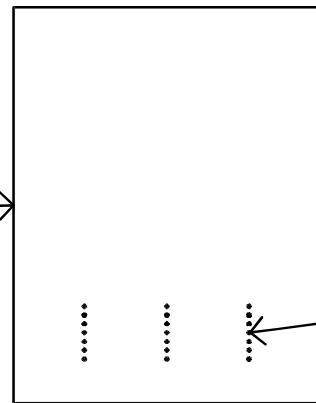


4 legs supplied

## CUPBOARD SPECIFIC TIPS

- Back to remain open to provide additional clearance & ventilation for deeper ovens
- Heat strip should be installed  
Without heat strips, warranty on doors will be void
- Induction & gas cooktops may require the oven mounted lower in the cabinet
- Some cooktops require heat barriers underneath. refer specs

front edge

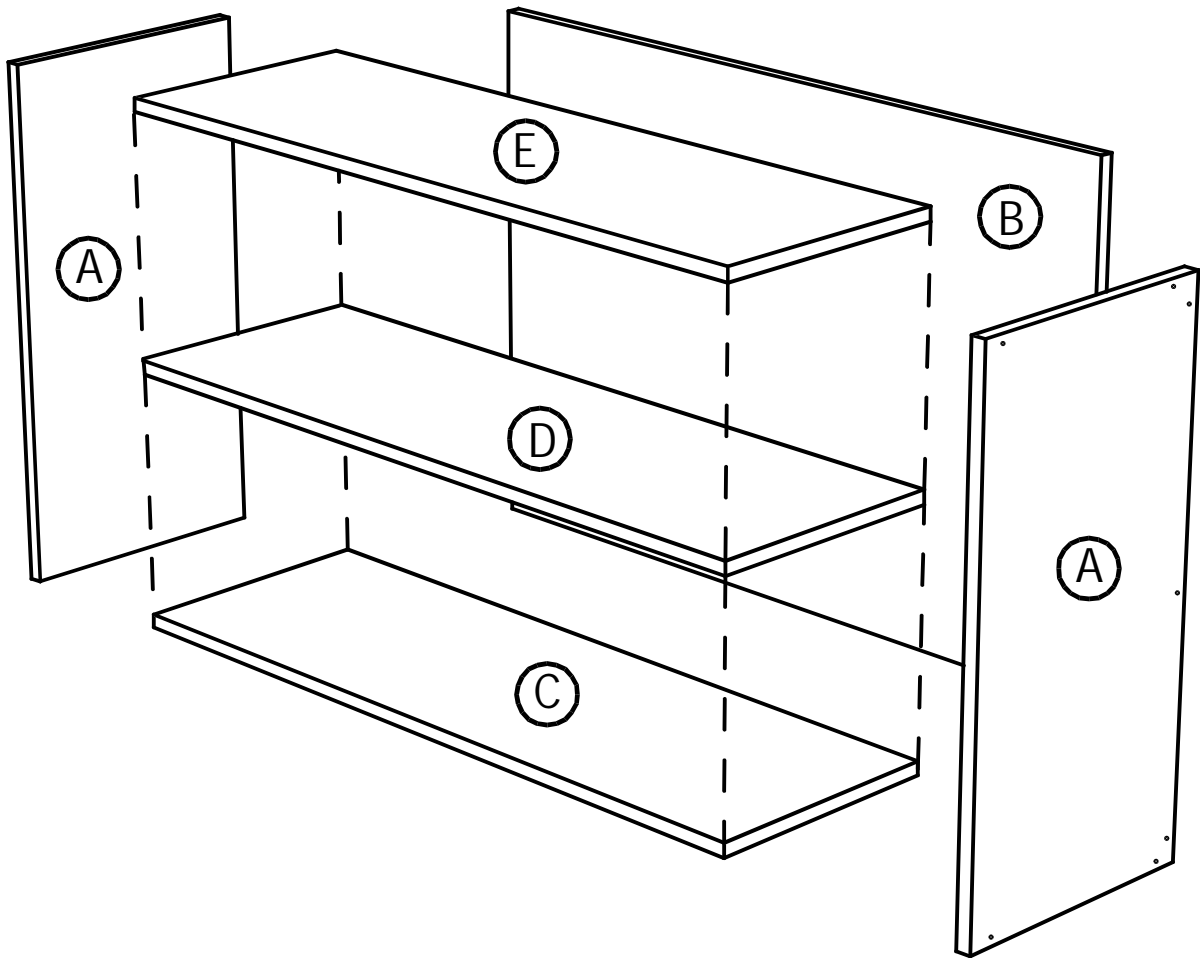


shelving pin holes

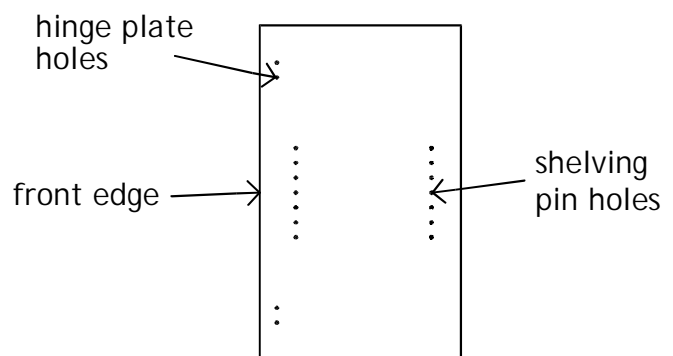
TYPICAL END ELEVATION

NOM	DESCRIPTION	QTY
(A)	END	2
(B)	BACK RAIL	1
(C)	BASE	1
(D)	ADJ SHELF	1
(E)	RAILS	1

# WALL UNITS

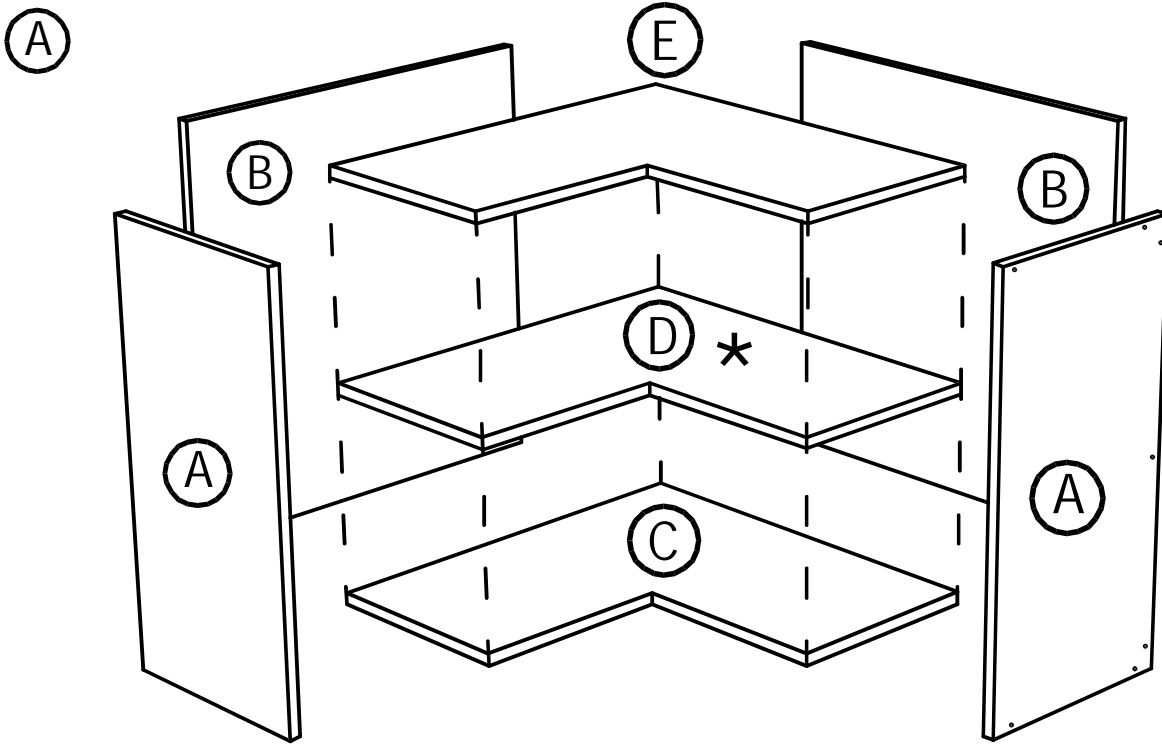


NOM	DESCRIPTION	QTY
(A)	END	2
(B)	BACK	1
(C)	BASE	1
(D)	ADJ SHELF	1
(E)	TOP	1



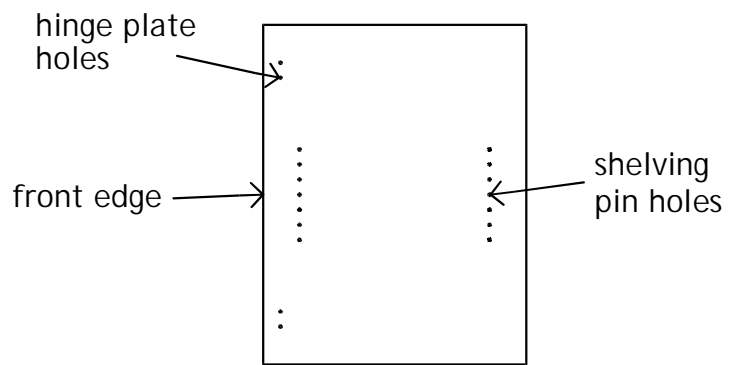
TYPICAL END ELEVATION

# CORNER WALL UNITS



## CUPBOARD SPECIFIC TIPS

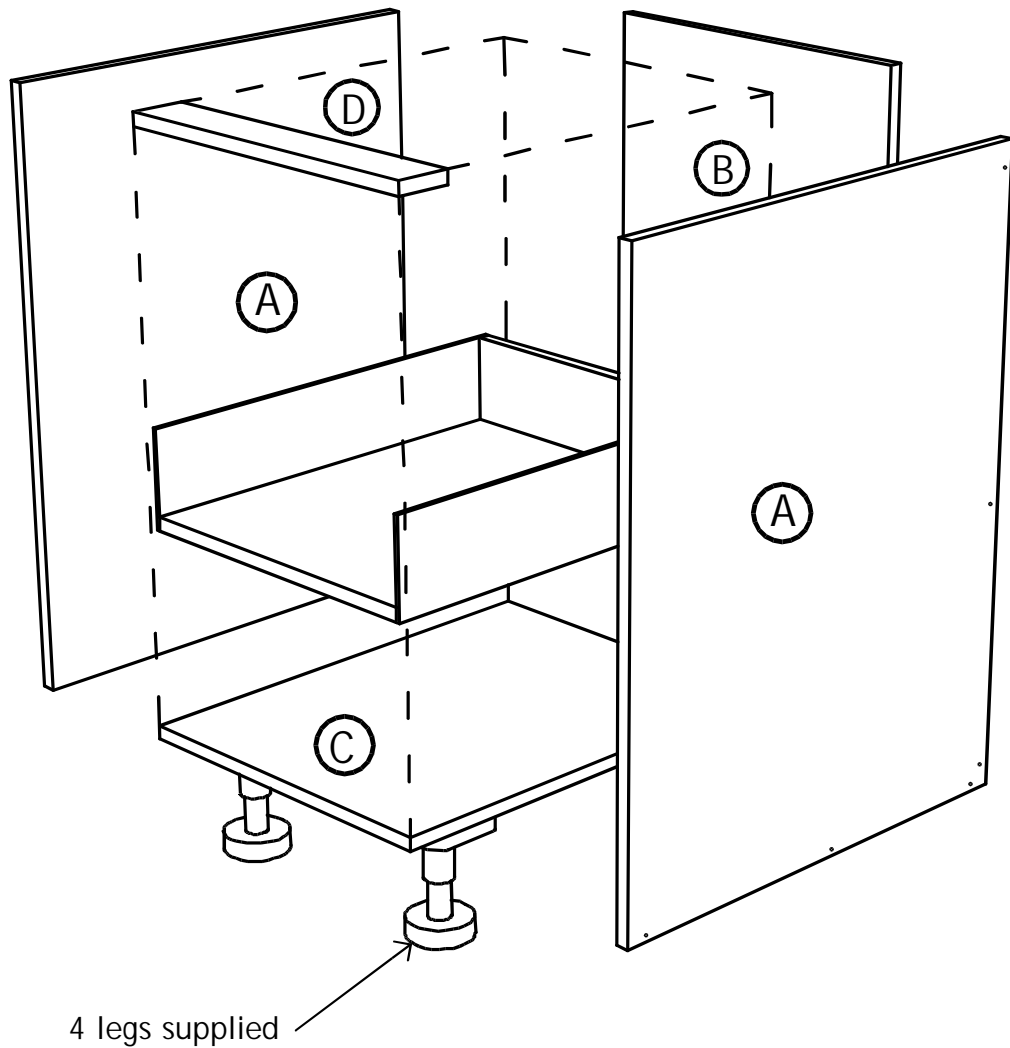
- Shelf should be placed inside cupboard during assembly \*




TYPICAL END ELEVATION

NOM	DESCRIPTION	QTY
(A)	END	2
(B)	BACK	2
(C)	BASE	1
(D)	ADJ SHELF	1
(E)	TOP	1

# DRAWER UNIT



## CUPBOARD SPECIFIC TIPS

- 5mm 'Euro' screws supplied for fixing runners into carcass 

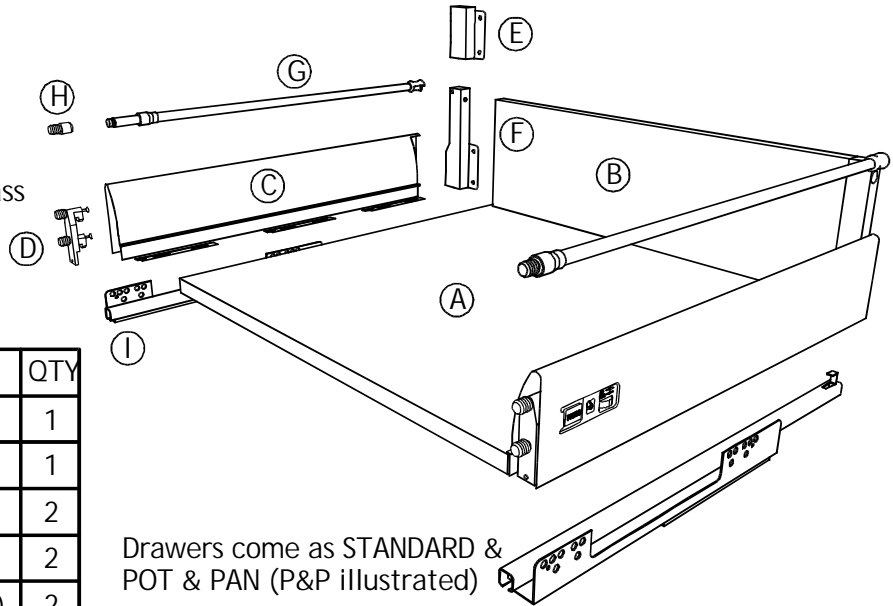
NOM	DESCRIPTION	QTY
(A)	END	2
(B)	BACK	1
(C)	BASE	1
(D)	RAILS	1

REFER TO INNOTECH & MULTITECH ASSEMBLY DETAILS FOR INDIVIDUAL DRAWER BOX ASSEMBLY

# INNOTECH DRAWER ASSEMBLY

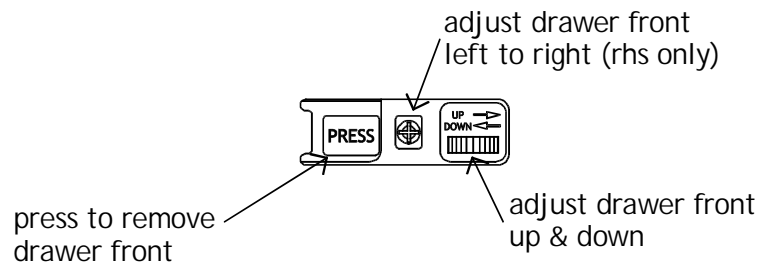
## ASSEMBLY TIPS

- Always assemble on a flat surface to ensure drawer is square
- 5mm 'Euro' screws supplied for fixing runners into carcass
- Short screws supplied for assembling drawer box

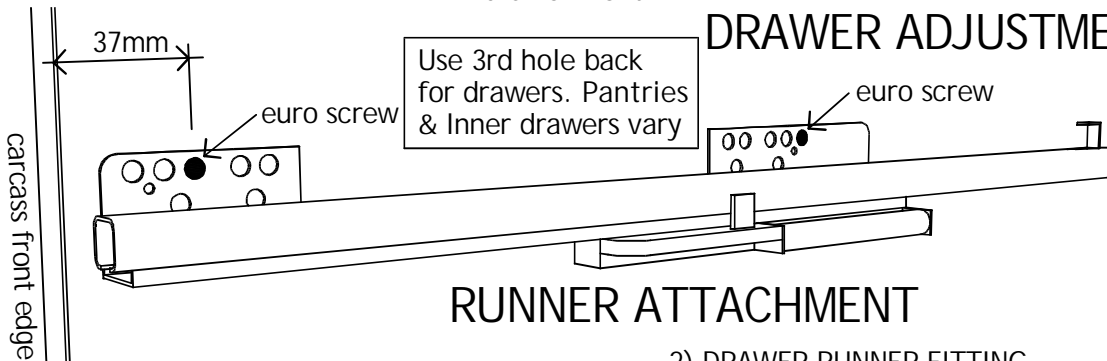


Drawers come as STANDARD & POT & PAN (P&P illustrated)

NOM	DESCRIPTION	QTY
(A)	BASE (with carcass)	1
(B)	BACK (with carcass)	1
(C)	METAL SIDES (L & R)	2
(D)	FRONT CONNECTOR	2
(E)	BACK CONNECTOR (L & R) (standard only)	2
(F)	BACK CONNECTOR (L & R) (pot & pan only)	2
(G)	GALLERY RAIL (p & p only)	2
(H)	GALLERY RAIL CONNECTOR (pot & pan only)	1
(I)	RUNNERS (L & R)	2



## DRAWER ADJUSTMENT



## RUNNER ATTACHMENT

### ORDER OF ASSEMBLY

#### 1) DRAWER ASSEMBLY

- Attach BACK CONNECTORS to METAL SIDES
- Screw BASE to METAL SIDES from underneath using Short Screws
- Screw BACK between BACK CONNECTORS
- Clip GALLERY RAILS to BACK CONNECTORS (Pot & Pan drawers only)

#### 2) DRAWER RUNNER FITTING

- Attach RUNNER to the inside of the carcass using Euro screws

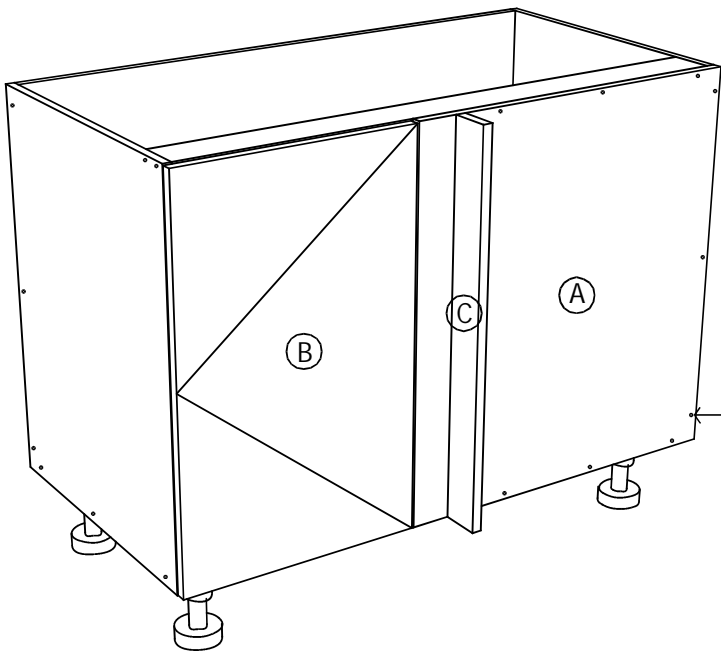
- Sit assembled drawer on top of runners and push all the way in until it clicks in place

#### 3) DRAWER FRONT ATTACHMENT

- Attach FRONT CONNECTORS to Drawer Front
- Connect Drawer Front to Assembled Drawer which will click in place



# BLIND CORNER UNIT



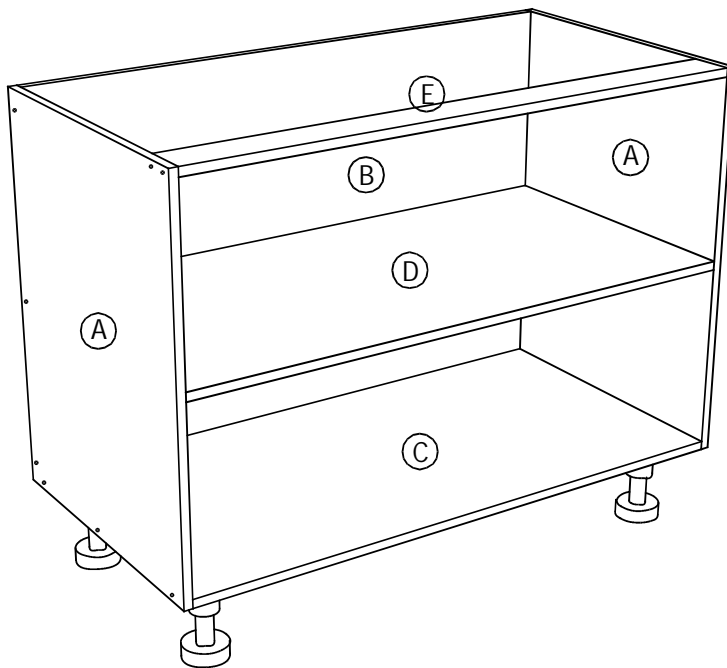
## FINISHED COMPONENTS

NOM	DESCRIPTION	QTY
(A)	END W90 DRILL	1
(B)	DOOR	1
(C)	INFILL	1

screw through face panel as required

## CUPBOARD SPECIFIC TIPS

- 'END W90' panel to be screwed to rail & base behind infill line
- Infill panel C to be fixed to A from inside cupboard
- Where blind corner pull out fittings are used, the shelf is not required



## MELAMINE COMPONENTS

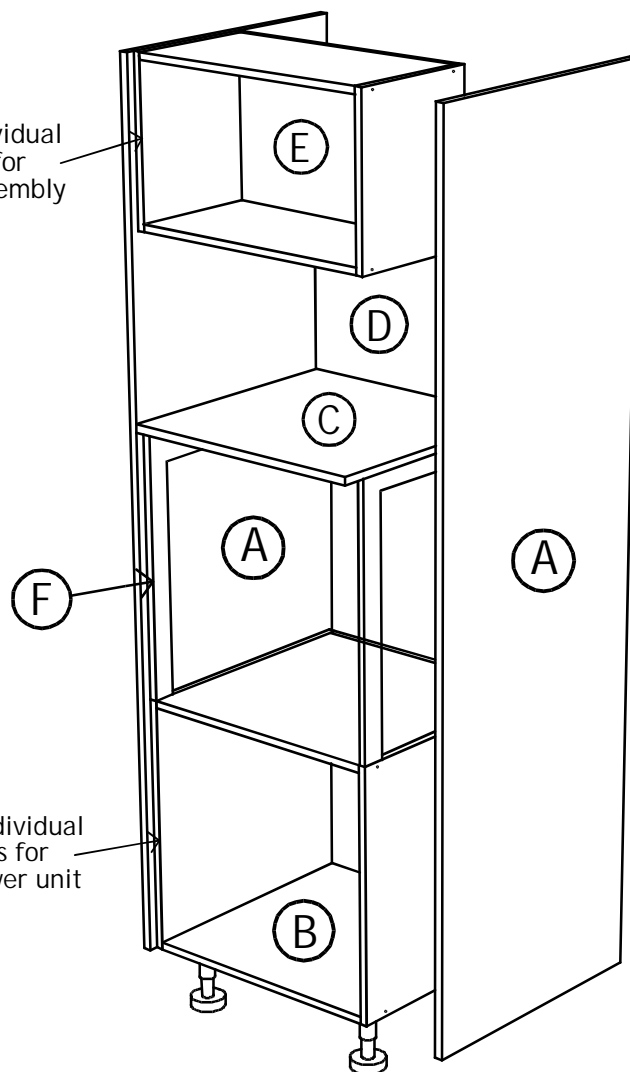
NOM	DESCRIPTION	QTY
(A)	END	2
(B)	BACK	1
(C)	BASE	1
(D)	SHELF*	1
(E)	RAIL	1

# OVEN TOWER & MICROWAVE

## CUPBOARD SPECIFIC TIPS

- Base, Drawer & Wall units to be screwed to end panels from inside the units
- White cleat material supplied to be cut to suit oven size & screwed to end panels
- Shelf (C) position to suit oven height. Use additional material to hold back (D) in place if required
- Heat strip should be installed  
Without heat strips, warranty on doors will be void

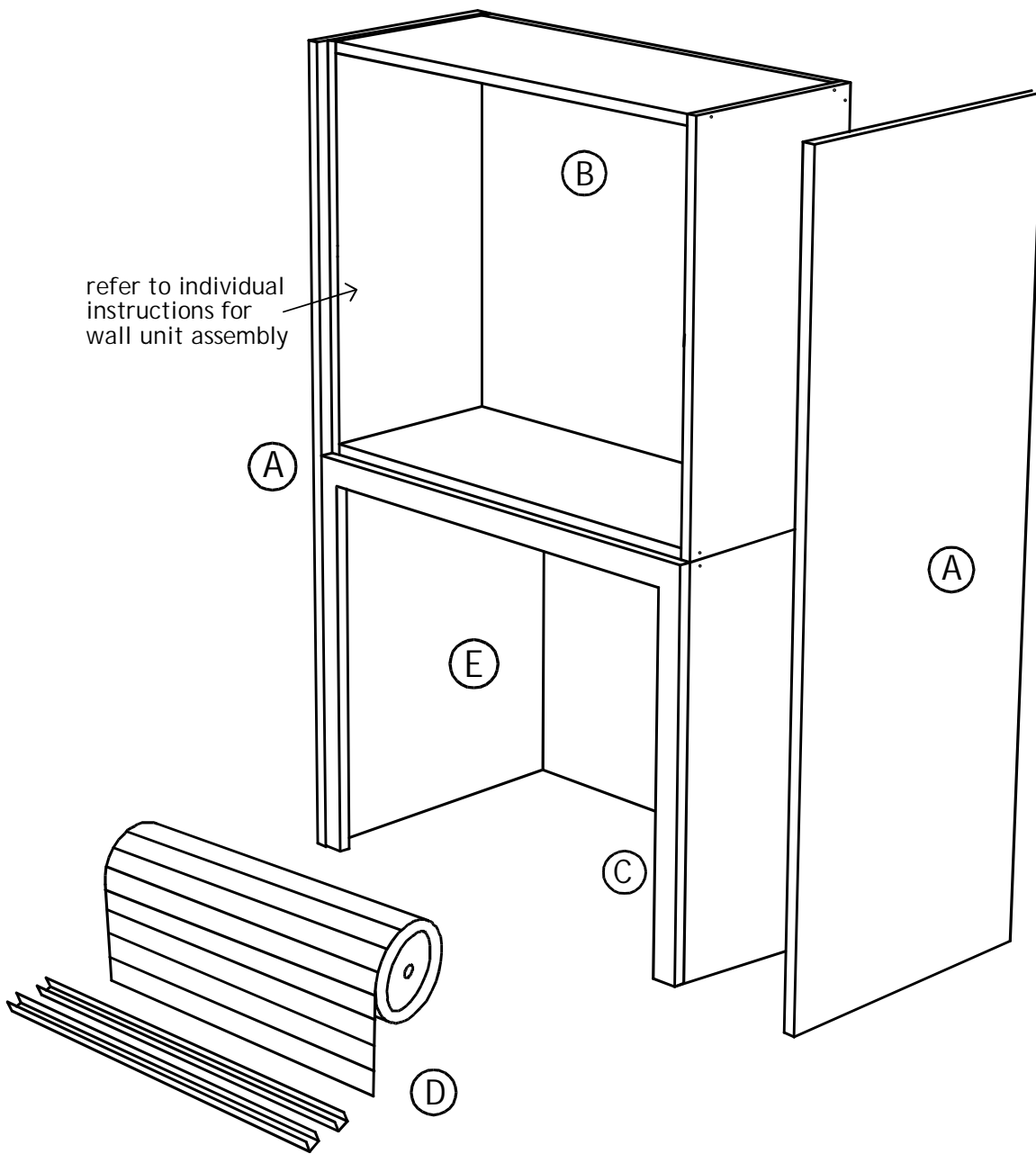
refer to individual instructions for wall unit assembly



refer to individual instructions for base/ drawer unit assembly

NOM	DESCRIPTION	QTY
(A)	COLOURED END PANELS	2
(B)	BASE/DRAWER UNIT	1
(C)	COLOURED SHELF	1
(D)	COLOURED BACK	1
(E)	WALL UNIT	1
(F)	OVEN/SHELF CLEAT	2

# ROLLER SHUTTER TOWER

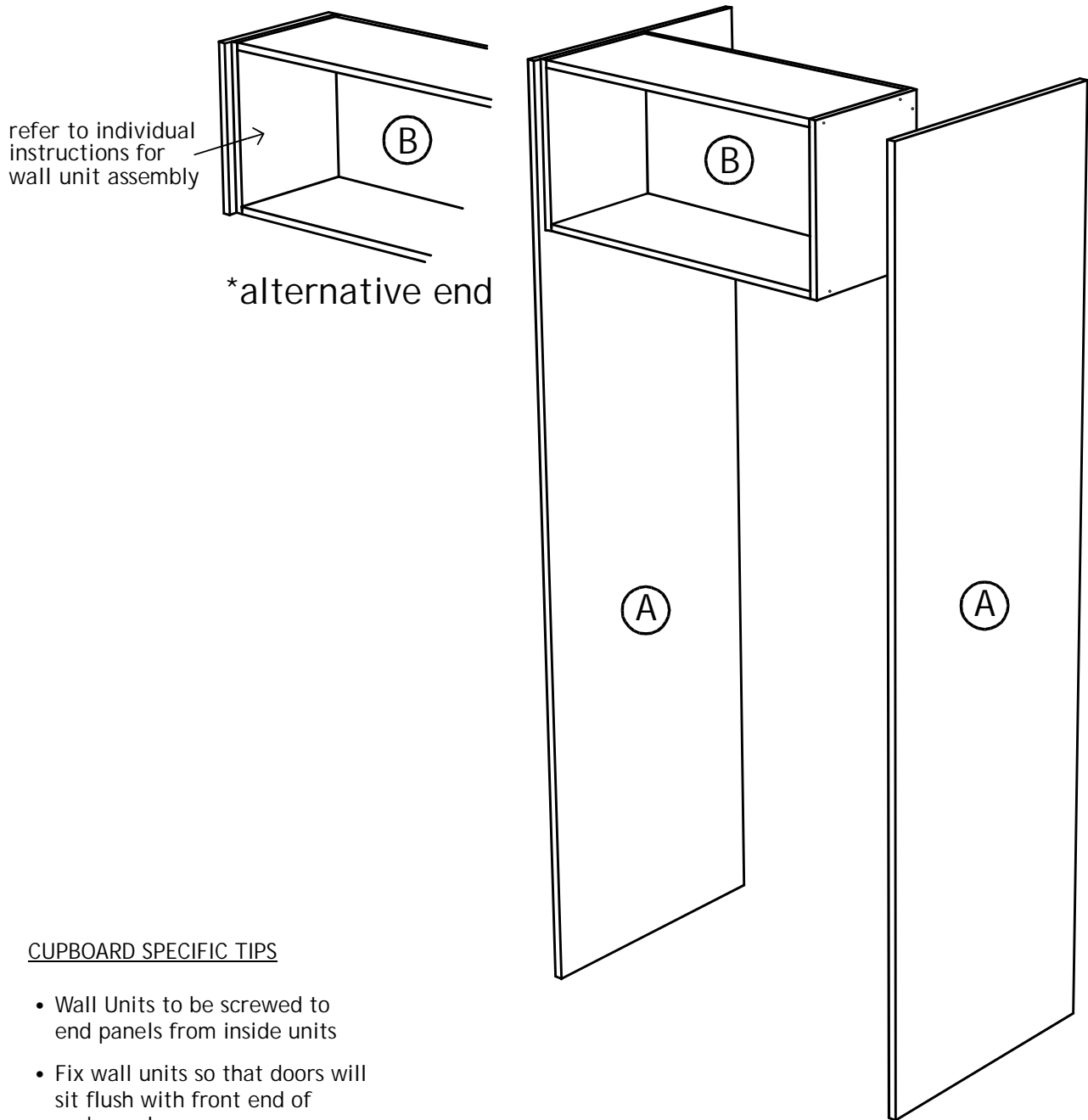


NOM	DESCRIPTION	QTY
(A)	COLOURED END PANELS	2
(B)	WALL UNIT	1
(C)	COLOURED FRAME	1
(D)	ROLLER SHUTTER KIT	1
(E)	APPLIANCE UNIT	1

## CUPBOARD SPECIFIC TIPS

- Refer to roller shutter specs and installation details provided with the roller
- Heat generating appliances should not be used inside cabinet
- Appliances should be switched off when not in use or door is closed

# FRIDGE TOWER



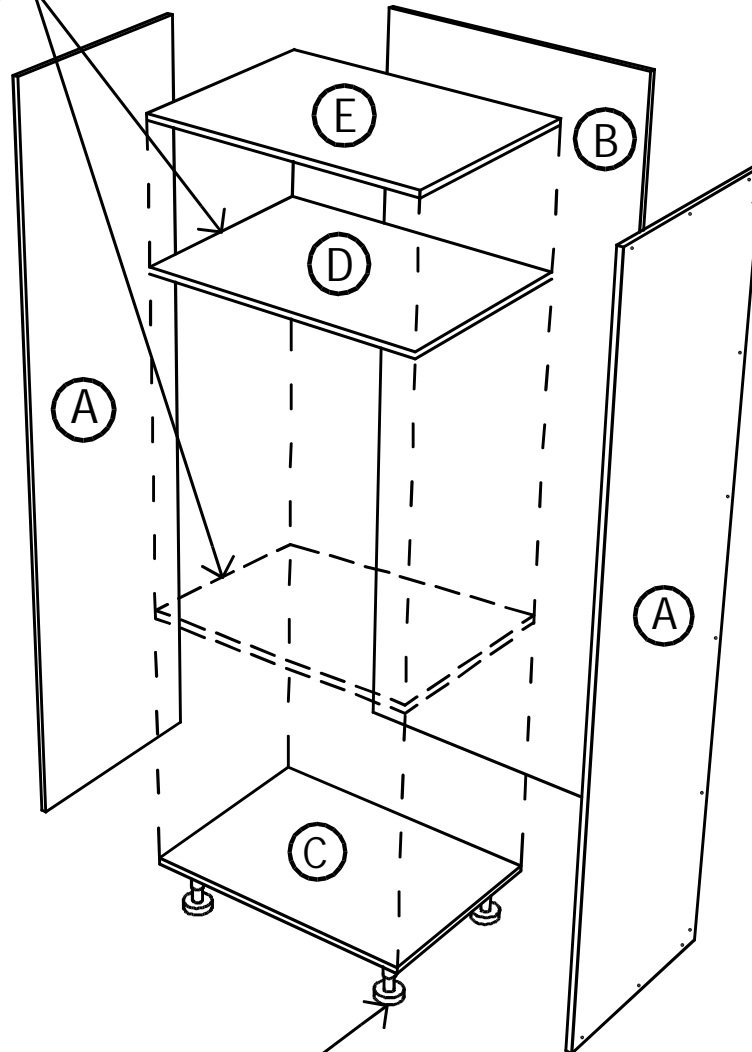
## CUPBOARD SPECIFIC TIPS

- Wall Units to be screwed to end panels from inside units
- Fix wall units so that doors will sit flush with front end of end panels
- Where fridge cavities are against a wall, the overhead cupboard may butt straight into the wall or have an infill/end panel. Refer layout drawings

NOM	DESCRIPTION	QTY
(A)	COLOURED END PANELS	2*
(B)	WALL UNIT	1

# PANTRY/BROOM UNIT

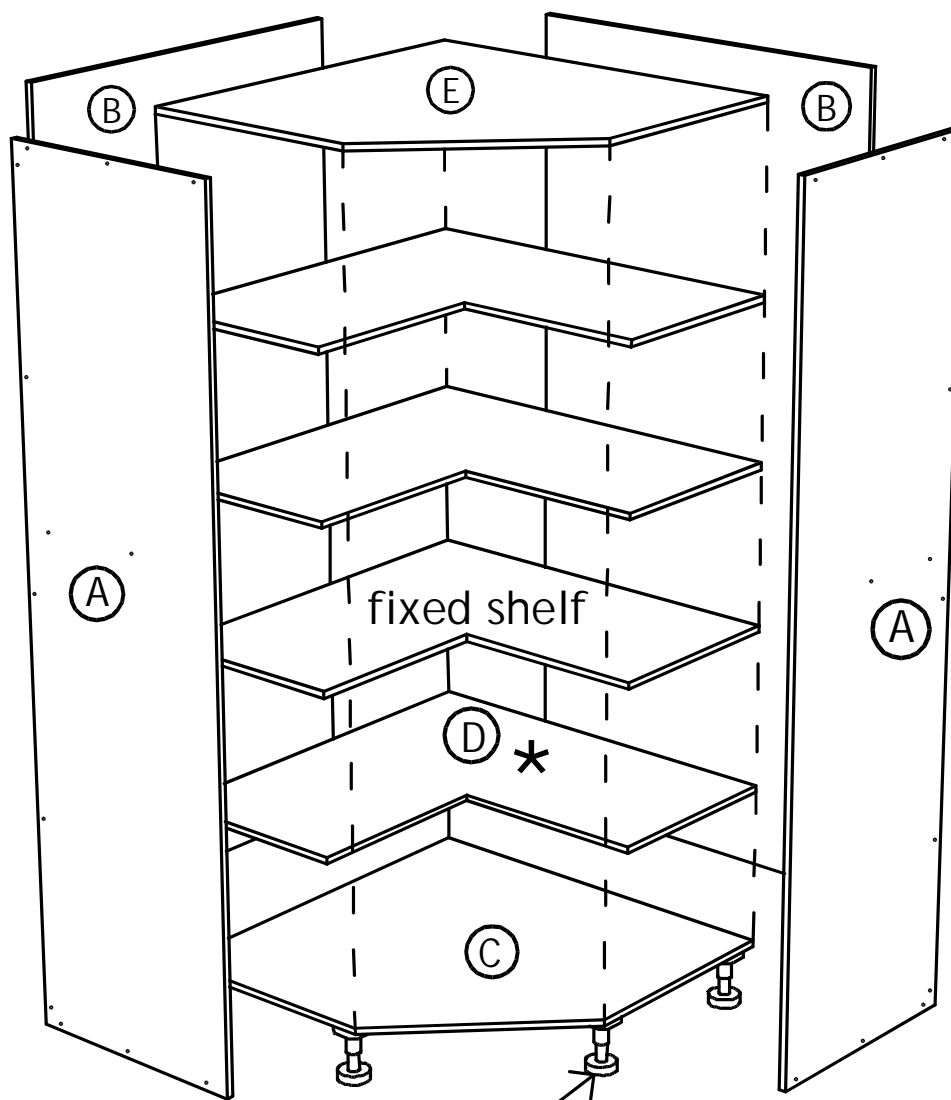
for pantry cupboards  
fixed shelf is at  
bench height



4 legs supplied

NOM	DESCRIPTION	QTY
(A)	END	2
(B)	BACK	1
(C)	BOTTOM	1
(D)	FIXED SHELF	1
(E)	TOP	1

# STEP IN CORNER PANTRY



5 legs supplied

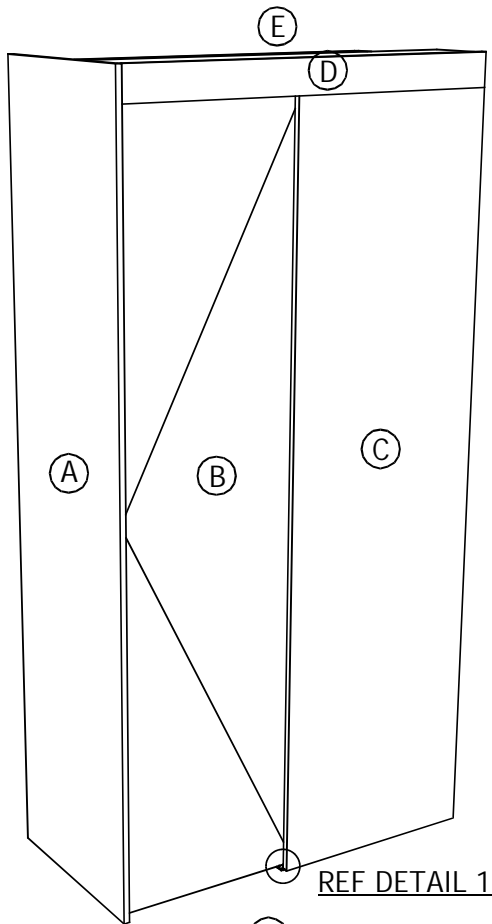
Walk in style is similar in construction without item C

NOM	DESCRIPTION	QTY
(A)	END	2
(B)	BACK	2
(C)	BASE	1
(D)	ADJ SHELF	4
(E)	TOP	1

## CUPBOARD SPECIFIC TIPS

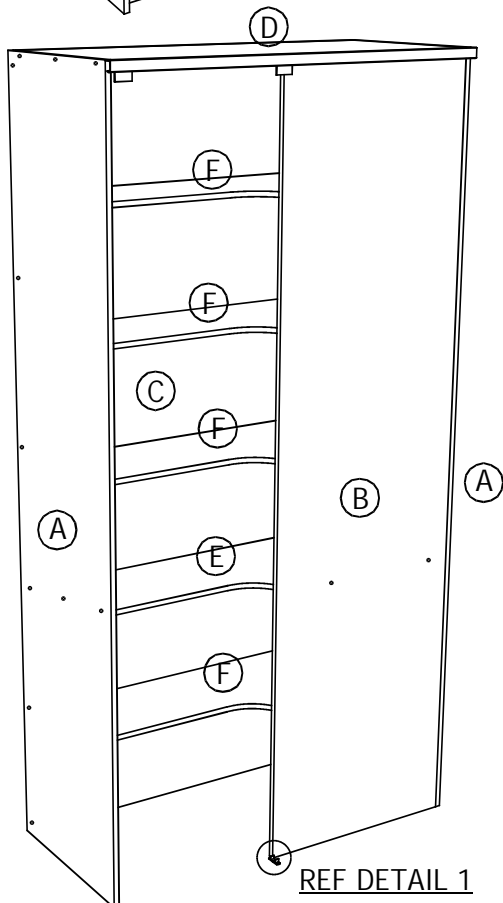
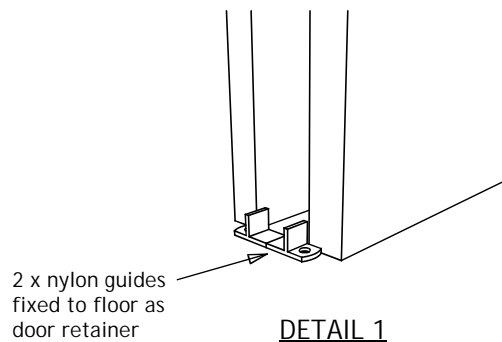
- Corner cupboards have a 16mm space behind. Align front edge to adjacent cupboard
- \* Bottom shelf to be placed inside cupboard during assembly

# BLIND CORNER PANTRY (Page 1 of 2)



## FINISHED COMPONENTS

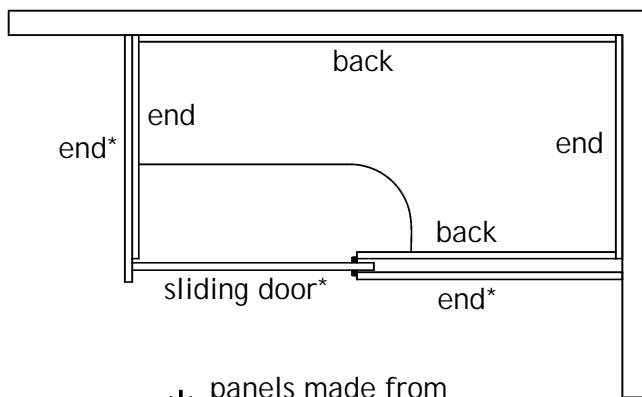
NOM	DESCRIPTION	QTY
(A)	END	1
(B)	DOOR SLIDER	1
(C)	END (cavity front)	1
(D)	APRON	1
(E)	TOP	1



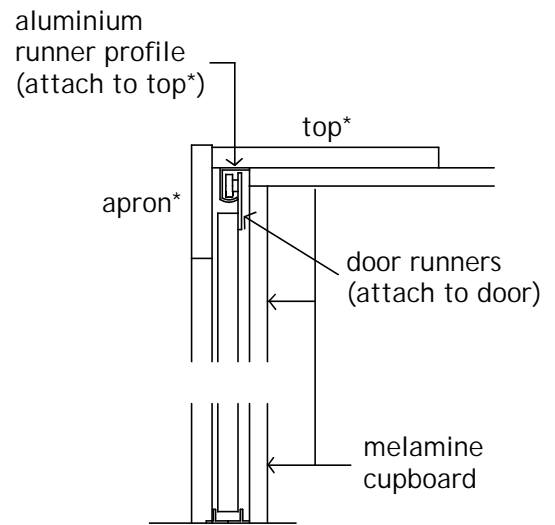
## MELAMINE COMPONENTS

NOM	DESCRIPTION	QTY
(A)	END	2
(B)	FACE	1
(C)	BACK	1
(D)	TOP	1
(E)	SHELF (fixed)	1
(F)	SHELF (adjustable)	4

# BLIND CORNER PANTRY (Page 2 of 2)

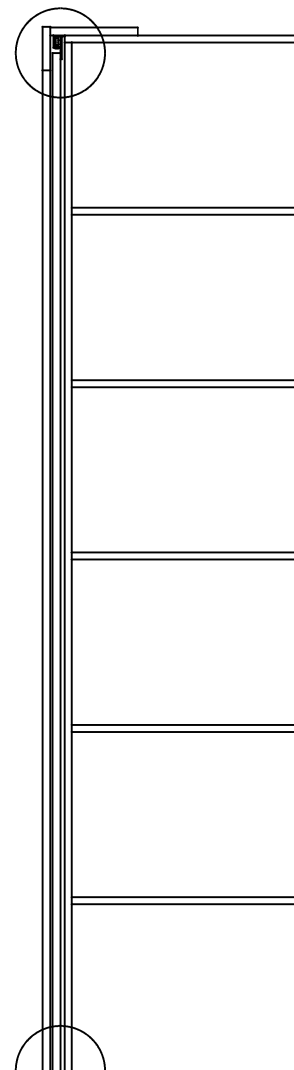
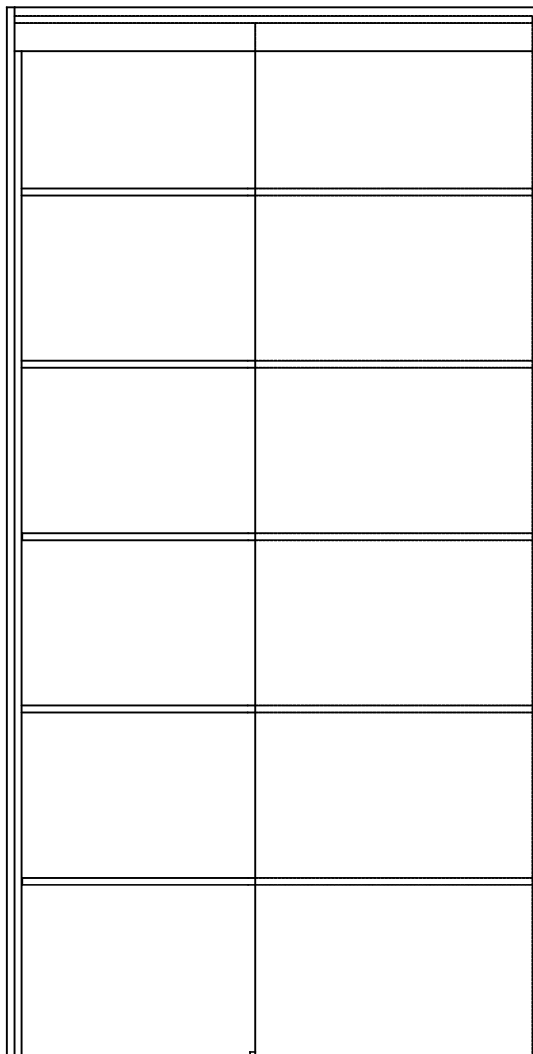


\* panels made from finished (door) material



DETAIL 2

REF DETAIL 2



REF DETAIL 2